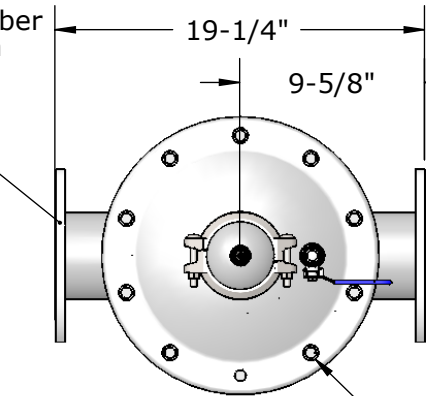


Serial Number Location



3/8-16 Grade 5 Bolts/Nuts
Zinc Plated Steel

GENERAL SPECIFICATIONS:

- Maximum Flow: 350 GPM (No minimum flow requirement)
- Maximum Pressure: 150 PSI (Not designed for suction/vacuum)
- Maximum Temperature: 135° F
- Screen Surface Area 367 Sq. In.

MATERIALS:

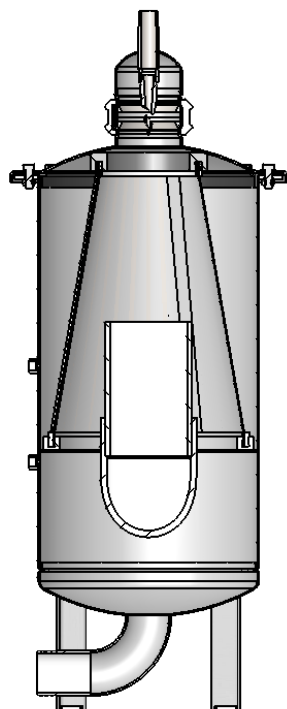
- Housing: 304 Stainless
- Gasket: EPDM
- Screen Mesh: 316 Stainless (1/4" perforated sheet backup)

SCREEN OPTIONS:

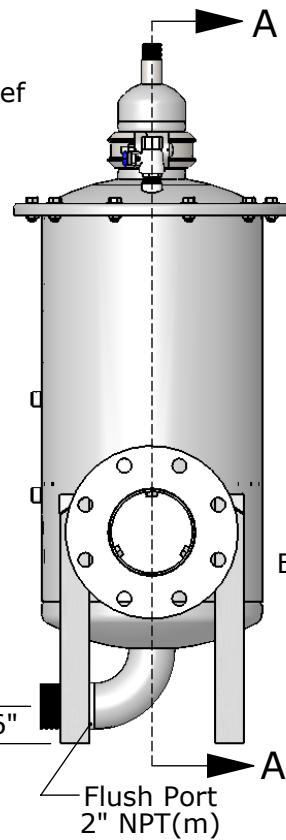
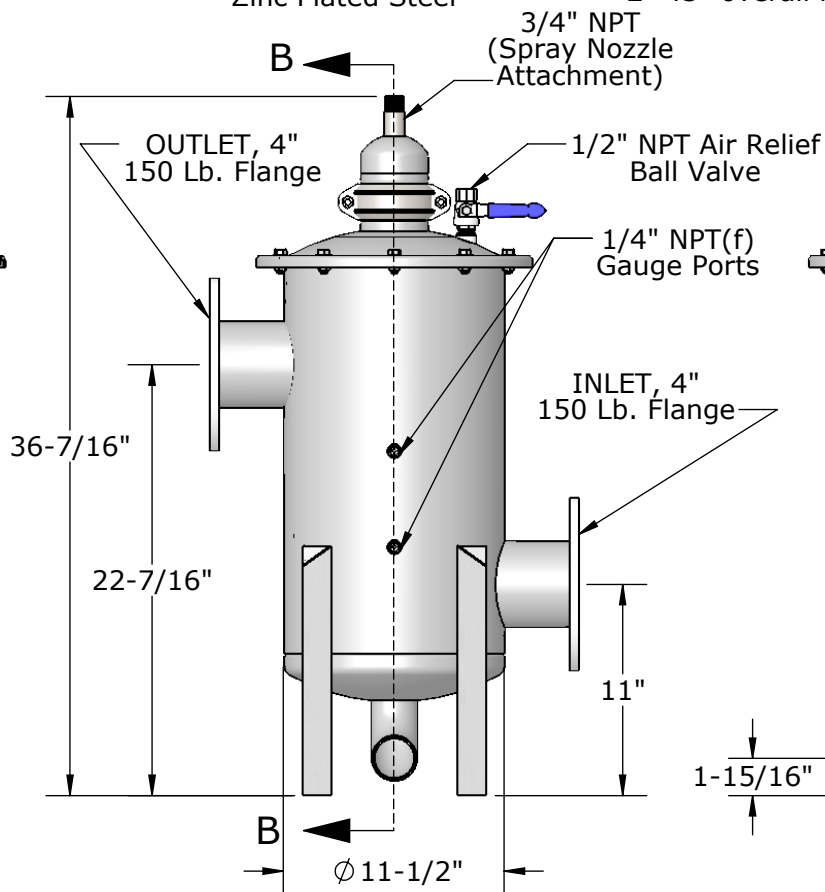
- Multiple screen mesh and perforated sheet sizes available. (See product catalog for samples)

NOTES:

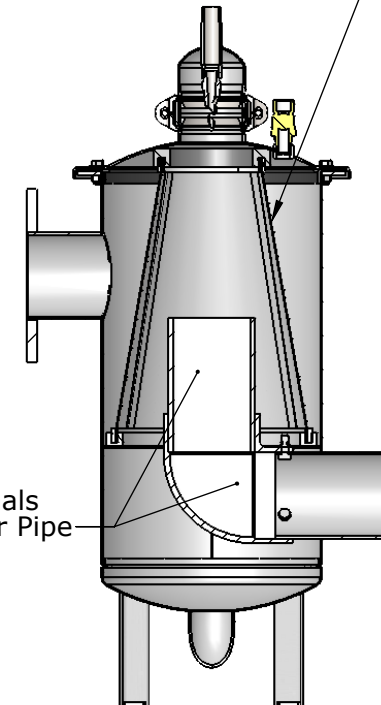
- 1- Dimensions are for informational purposes only and are subject to change.
- 2- 45" overall height is required for filter element removal.



SECTION B-B



Conical Filter Element
(See Specifications)



SECTION A-A

PRODUCT SPECIFICATION	DRAWN	L.Brannan	12/18/09	TITLE
	CHECKED			
	ENG APPR.			
	MKT APPR.			
MILLER-LEAMAN INC.	800 Orange Ave. Daytona Beach FL 32114			SHEET 1 OF 1

**Thompson Filter
MLI-4B-MOD23**