

**GENERAL SPECIFICATIONS:**

- Maximum Pressure: 125 PSI (Higher pressure models are available)
- Maximum Temperature: 135° F (Higher temperature models are available)
- Screen Surface Area 122 Sq. In.

**MATERIALS:**

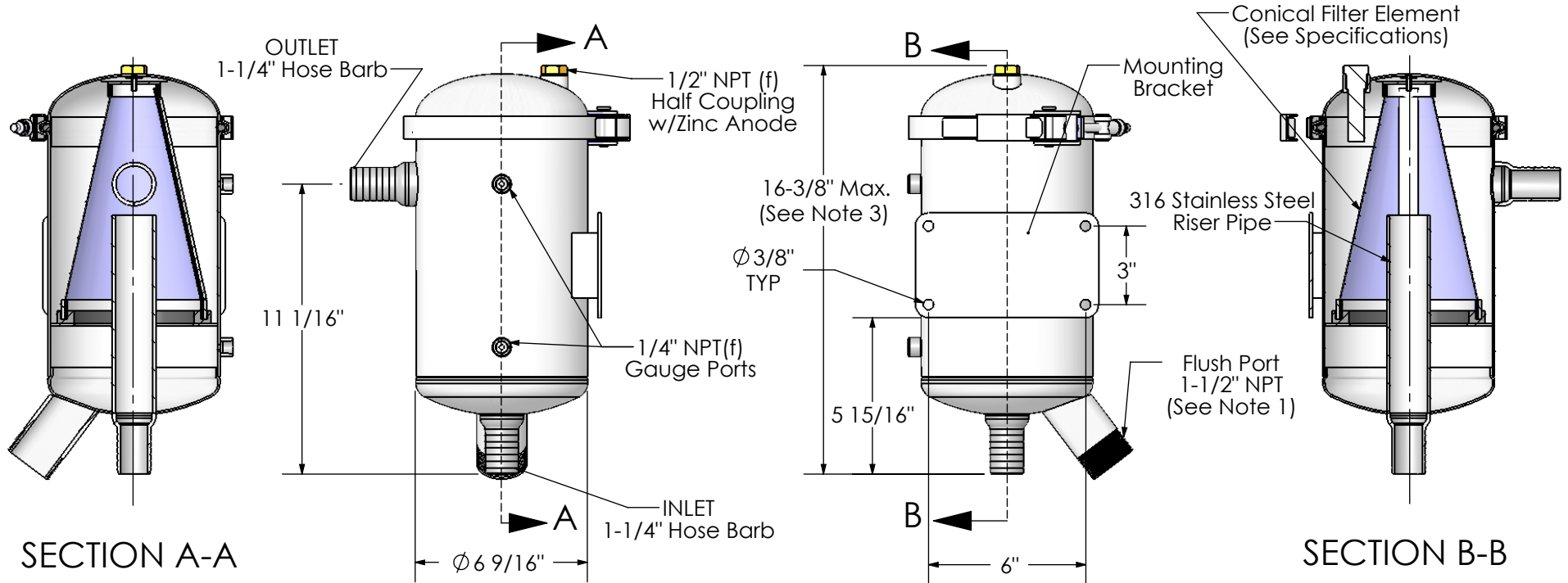
- Housing: 316 Stainless.
- Gasket: EPDM standard (other compounds available)
- Screen: 5/64" Perforated (316 Stainless)
- Clamp: 301, 302 or 304 Stainless.

**SCREEN OPTIONS:**

- Multiple screen mesh and perforated sheet sizes available. (See product catalog for samples)

**NOTES:**

- 1- Flush Port is available in larger sizes.
- 2- Dimensions are for informational purposes only and are subject to change.
- 3- 26" Overall height is required for filter element removal.



<b>PRODUCT SPECIFICATION</b>	DRAWN	L.Brannan	11/5/09	TITLE	<b>TYPE 316</b> Thompson Strainer MLS-2-T316-MOD18
	CHECKED				
<b>MILLER-LEAMAN INC.</b> 800 Orange Ave. Daytona Beach FL 32114	ENG APPR.			SHEET 1 OF 1	
	MKT APPR.				