

**GENERAL SPECIFICATIONS:**

- Maximum Flow: 100 GPM (No minimum flow requirement)
- Maximum Pressure: 125 PSI (Higher pressure models are available)
- Maximum Temperature: 135° F (Higher temperature models are available)
- Screen Surface Area 122 Sq. In.

**MATERIALS:**

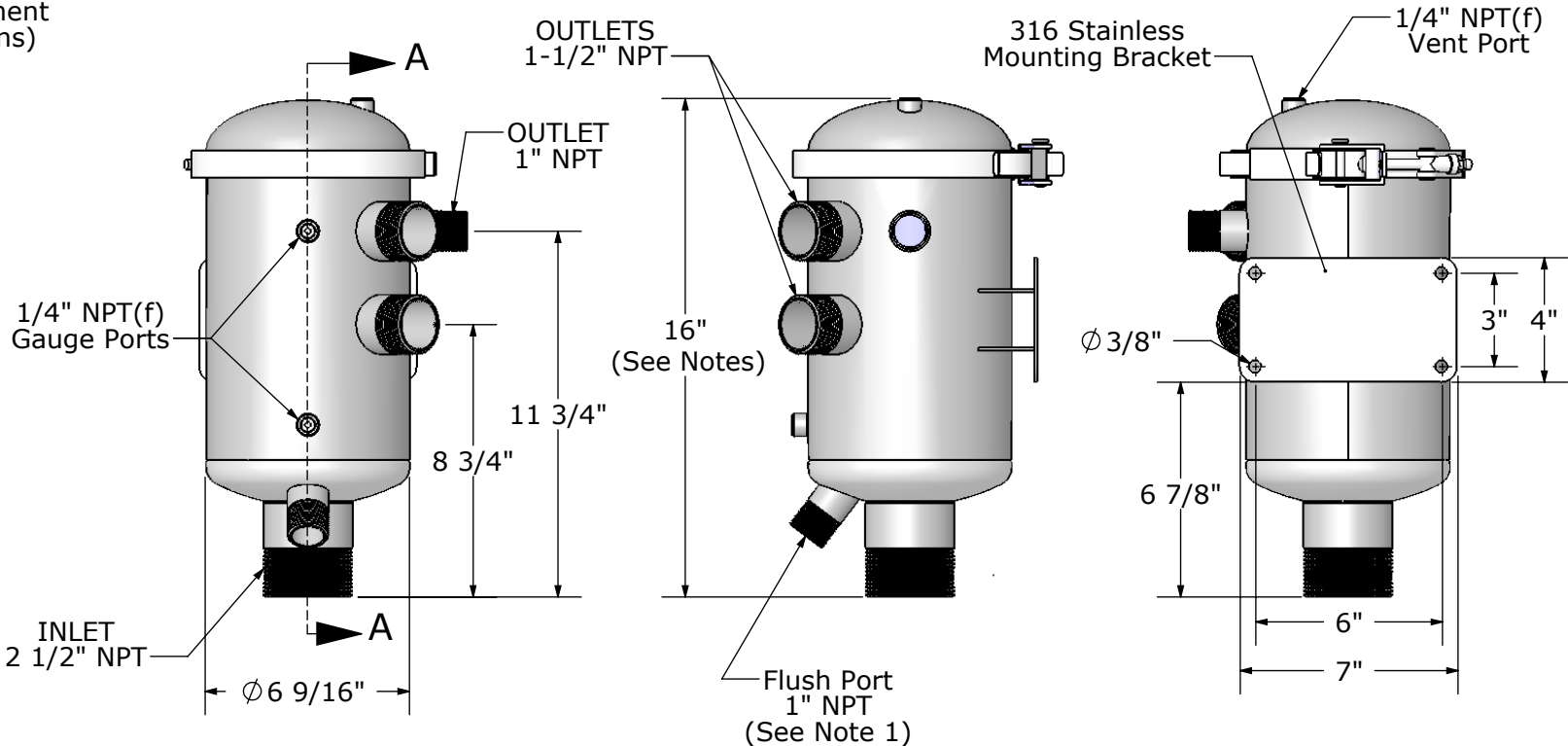
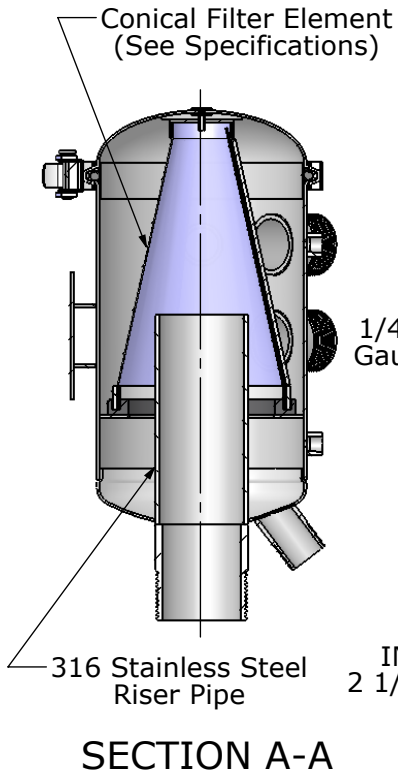
- Housing: 316 Stainless.
- Gasket: EPDM standard (other compounds available)
- Screen Mesh: 316 Stainless.
- 5/64 Preforated Sheet Screen Backup: 316 Stainless
- Clamp: 301, 302 or 304 Stainless.

**SCREEN OPTIONS:**

- Multiple screen mesh and perforated sheet sizes available. (See product catalog for samples)

**NOTES:**

- 1- Flush Port is available in larger sizes.
- 2- Dimensions are for informational purposes only and are subject to change.
- 3- 26" Overall height is required for filter element removal.



<b>PRODUCT SPECIFICATION</b> <b>MILLER-LEAMAN INC.</b> 800 Orange Ave. Daytona Beach FL 32114	DRAWN	L.Brannan	11/20/07
	CHECKED		
	ENG APPR.		
	MKT APPR.		
SHEET 1 OF 1			

TITLE	<b>TYPE 316 - Custom 2" Thompson Strainer MLS-2-T316-MOD7</b>
-------	---