

GENERAL SPECIFICATIONS:

- Maximum Flow: 350 GPM (No minimum flow requirement)
- Maximum Pressure: 150 PSI (Higher pressure models are available. (Not designed for suction/vacuum))
- Maximum Temperature: 135°F (190°F with optional Stainless Steel internals)
Consult factory for higher temperature applications.
- Screen Surface Area 367 Sq. In.

MATERIALS:

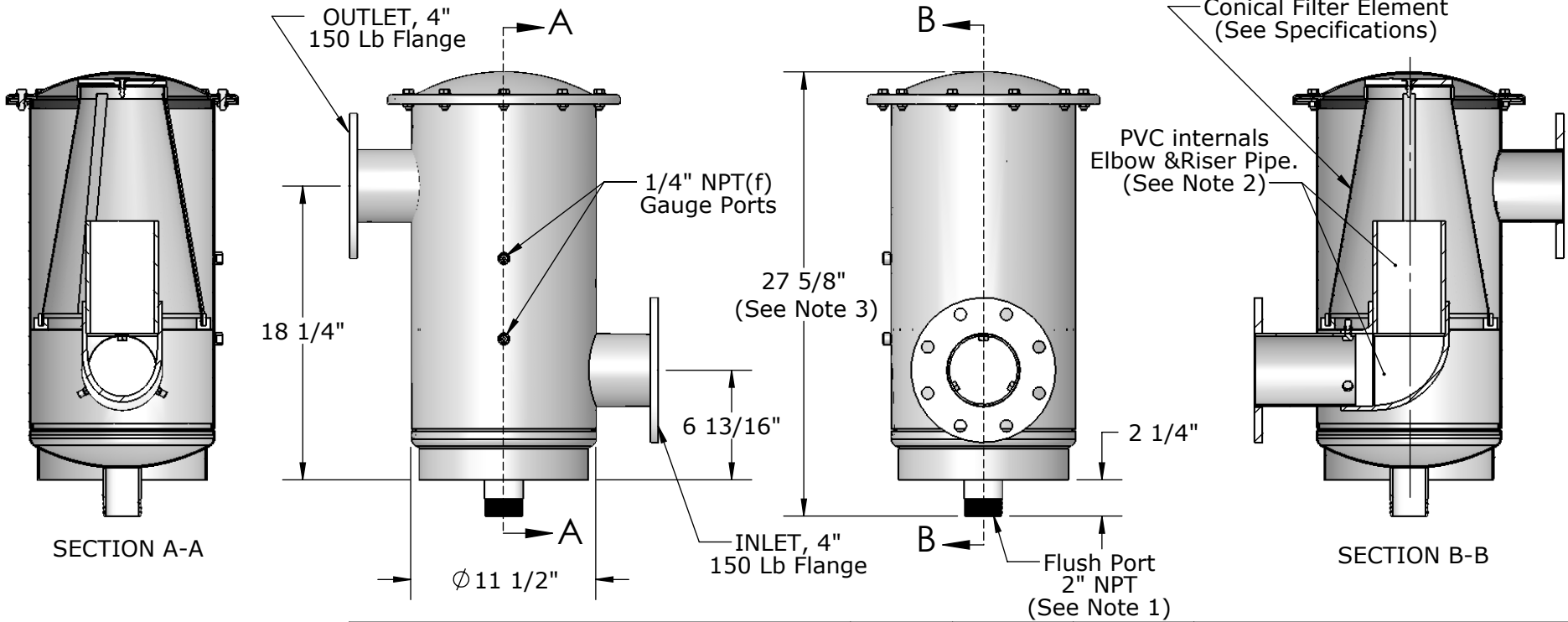
- Housing: 304 Stainless standard (316 Stainless optional)
- Gasket: EPDM standard (other compounds available)
- Screen Mesh: 316 Stainless (1/4" perforated sheet backup)

SCREEN OPTIONS:

- Multiple screen mesh and perforated sheet sizes available.
(See product catalog for samples)

NOTES:

- 1- Flush Port is available in other sizes and locations.
- 2- Stainless Steel internals (Elbows and Riser Pipe) are also available.
- 3- Dimensions are for informational purposes only and are subject to change.
- 4- 44" overall height is required for filter element removal.



PRODUCT SPECIFICATION MILLER-LEAMAN INC. 800 Orange Ave. Daytona Beach FL 32114	DRAWN	L.Brannan	4/2/10	TITLE Thompson Strainer MLS-4B-MOD6
	CHECKED			
	ENG APPR.			
	MKT APPR.			
SHEET 1 OF 1				