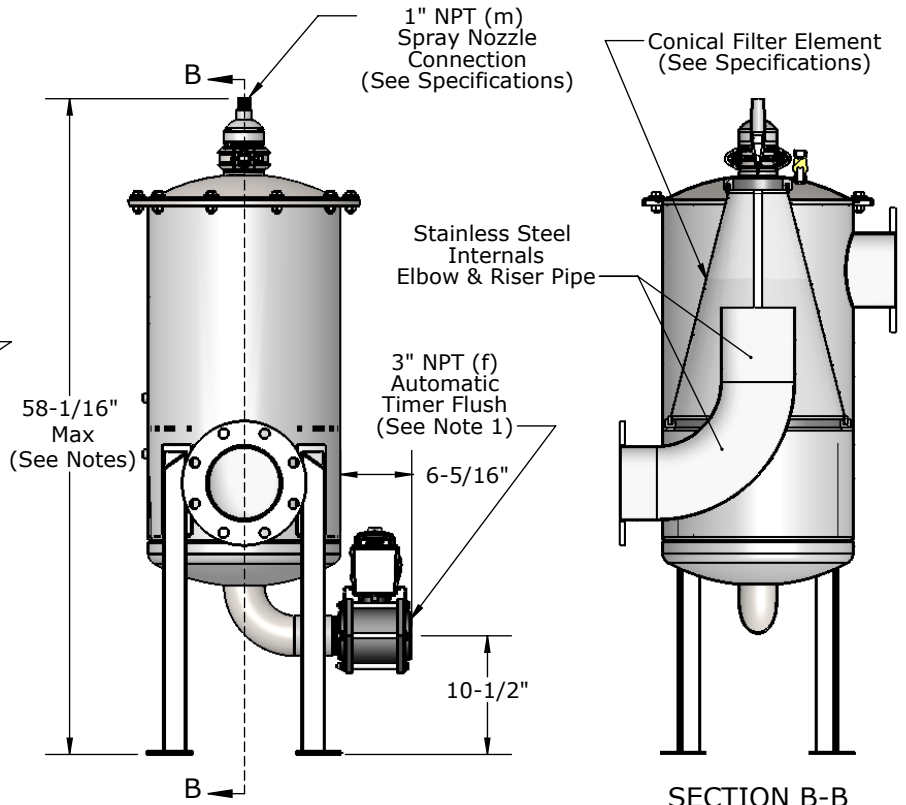
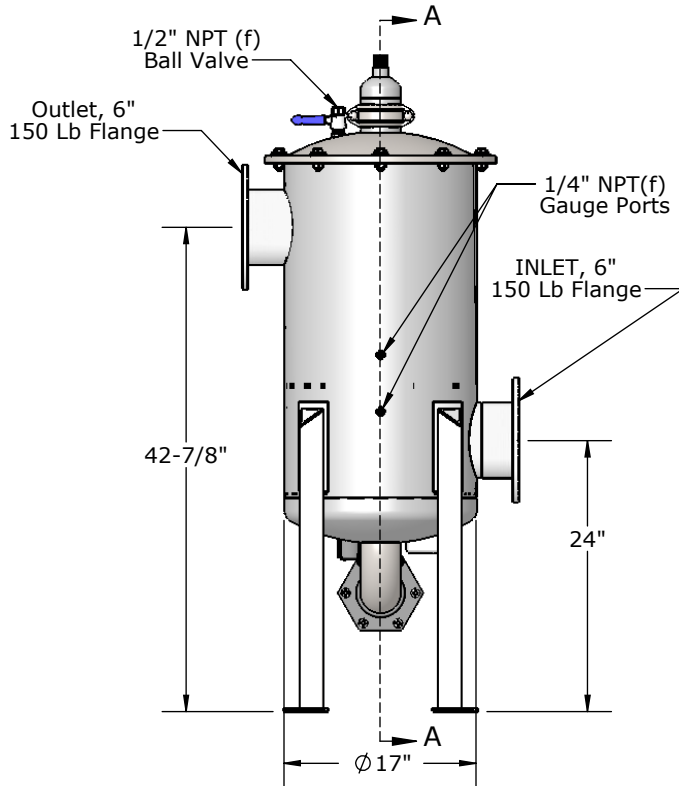


SECTION A-A



SECTION B-B

GENERAL SPECIFICATIONS:

- Maximum Flow: 750 GPM (No minimum flow requirement)
- Maximum Pressure: 100 PSI
- Maximum Temperature: 180° F
- Screen Surface Area 745 Sq. In.
- Recommended Pressure at Spray Nozzle: 60 PSI (50 GPM @ 60 PSI)
- Recommended minimum pipe connection size to Spray Nozzle:
Length of 0-25 ft - 1-1/2" Pipe
Length of 25 - 100 ft - 2" Pipe

MATERIALS:

- Housing: 316L Stainless
- Gasket: EPDM standard (other compounds available)
- Screen: 1/8" Perforated

SCREEN OPTIONS:

- Multiple screen mesh and perforated sheet sizes available.
(See product catalog for samples)

NOTES:

- 1- Flush Port is available in larger sizes.
- 2- Dimensions are for informational purposes only and are subject to change.
- 3- 79" Overall height required for filter element removal.

PRODUCT SPECIFICATION

MILLER-LEAMAN INC.

800 Orange Ave. Daytona Beach FL 32114

DRAWN	L.Brannan	5/14/10
CHECKED		
ENG APPR.		
MKT APPR.		
SHEET 1 OF 1		

TITLE

**Thompson Strainer
MLS-6-MOD32**