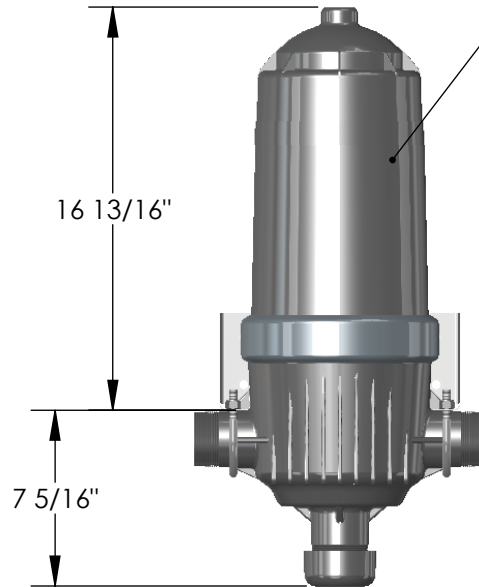
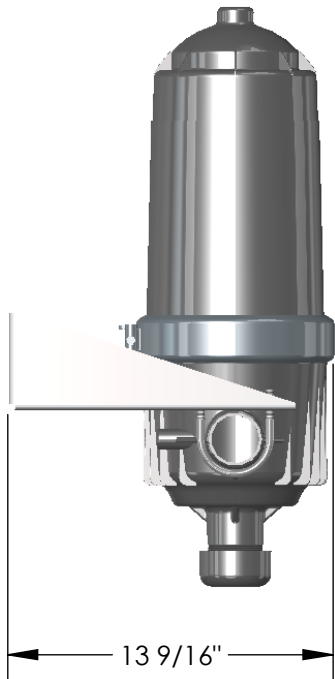


Filter Housing mounted to bracket in upright position. Housing shown for reference only.



Filter Housing mounted to bracket in standard position (flush port at bottom). Housing shown for reference only.

PRODUCT SPECIFICATION

MILLER-LEAMAN INC.
800 Orange Ave. Daytona Beach FL 32114

DRAWN	S. Richards	9/5/03
CHECKED		
ENG APPR.		
MKT APPR.		
SHT 1 of 1	Ref: ML20113-2NAshort	Rev: A

TITLE
**Mounting Bracket, T304 SS
for 2" Helix
(MT-9102)**