

Visit our website!
www.millerleaman.com

URGENT!
TO: Sales Department

MILLER-LEAMAN, INC.
Manufacturer of the
**THOMPSON
STRAINER**

Fast Fax- Thompson Strainer

Fill out this fact form and your questions will be responded to by an application specialist ASAP. Fax this form to:

(386) 248-3033

Or, call us at 1-800-881-0320 for immediate assistance.

APPLICATION FACTS:

Liquid: _____ Temperature: _____

Flow Rate: _____ Line Size: _____

Operating Pressure: _____ Max Pressure: _____

Particle size to be filtered: _____ Micron _____ Mesh

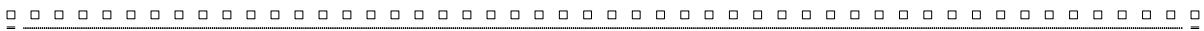
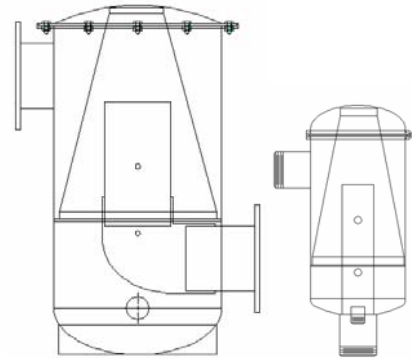
Particle Concentration: _____ Parts Per Million

Describe the particle (firm, soft, slimy, etc.): _____

System Operation: Continuous or Batch

Is there a filter/strainer currently being used on this application? If so, what product is being used and how is it performing? _____

Why is filtration required? _____



Name _____ Title _____

Company _____ Phone _____

Address _____

City _____ State _____

Zip _____

MILLER-LEAMAN, INC.
800 ORANGE AVENUE
DAYTONA BEACH, FL 32114



PHONE (386) 248-0500
WATTS (800) 881-0320
FAX (386) 248-3033

PLEASE VISIT OUR WEB SITE AT WWW.MILLERLEAMAN.COM