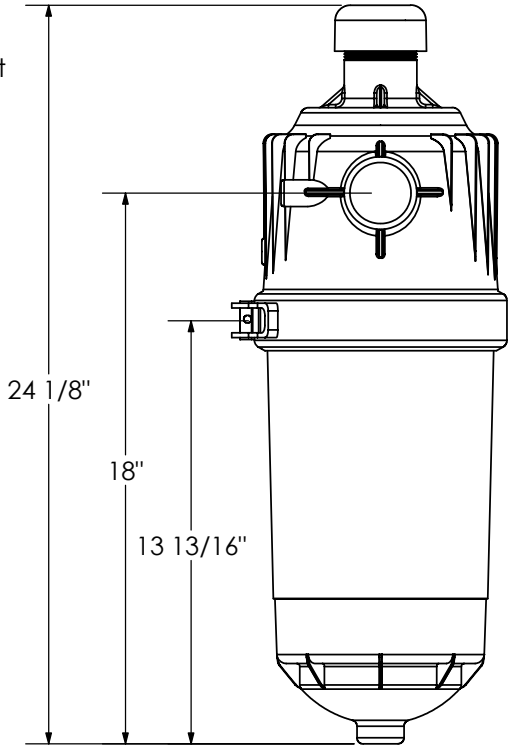
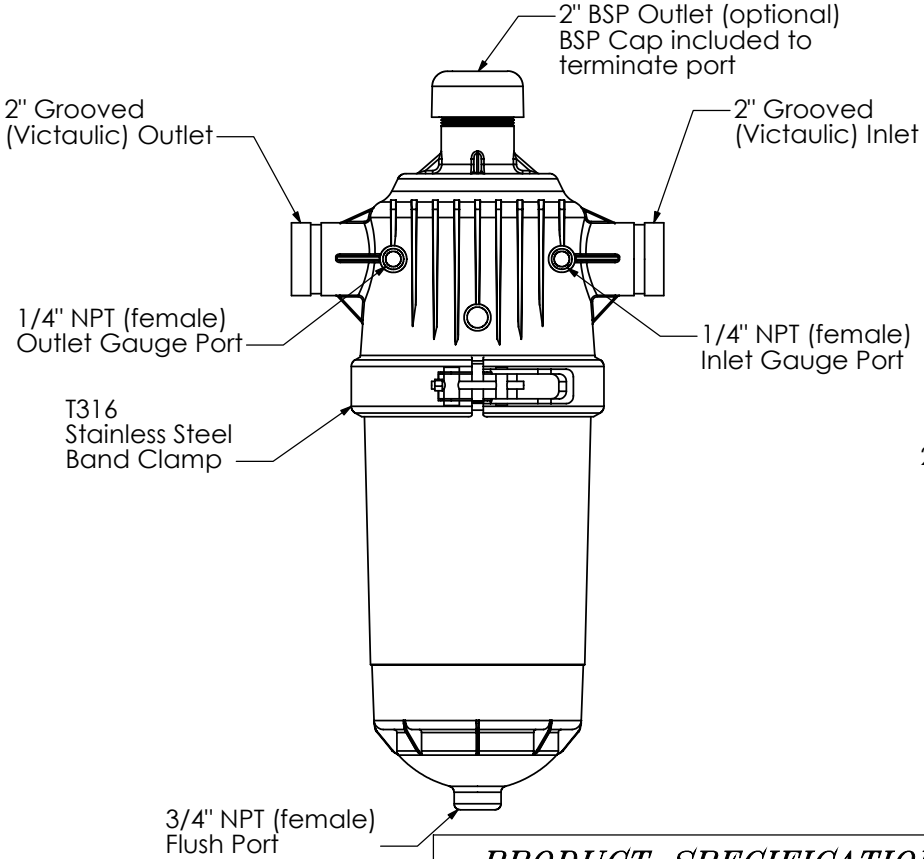
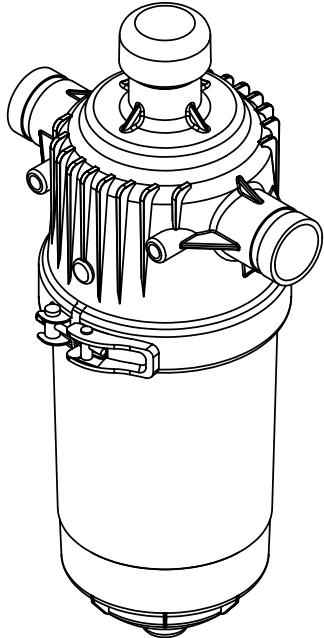
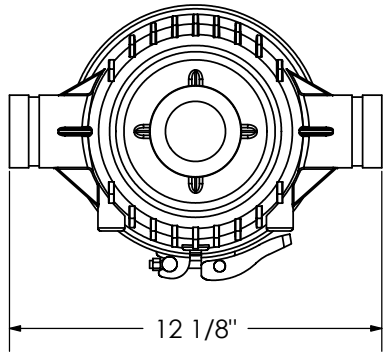


REVISIONS			
REV.	DESCRIPTION	DATE	APPROVED



PRODUCT SPECIFICATION		DRAWN	S. Richards	9/26/03	TITLE
MILLER-LEAMAN INC. 800 Orange Ave. Daytona Beach FL 32114		CHECKED			2NW Helix Filter Housing
		ENG APPR.			
		MKT APPR.			
		SHEET 1 OF 1			