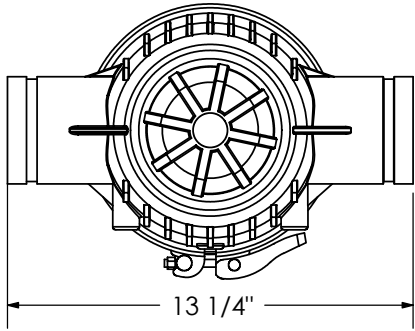
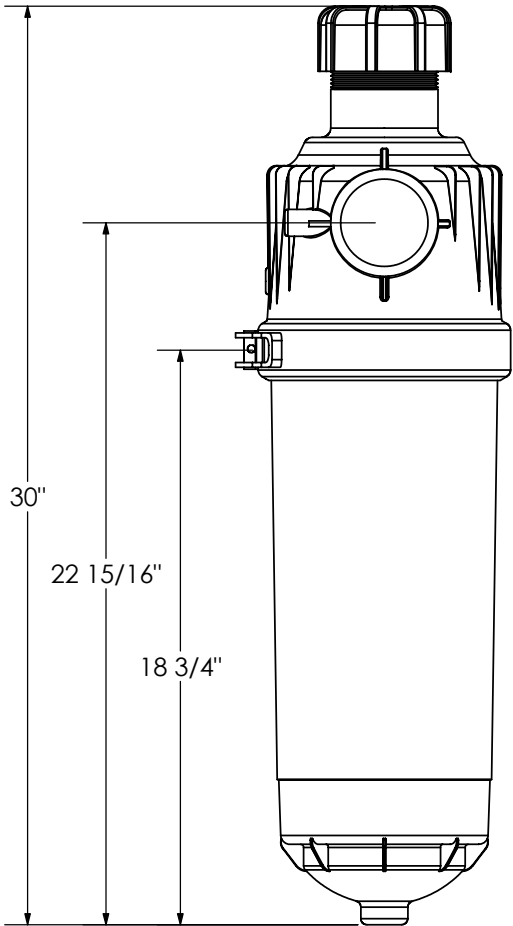
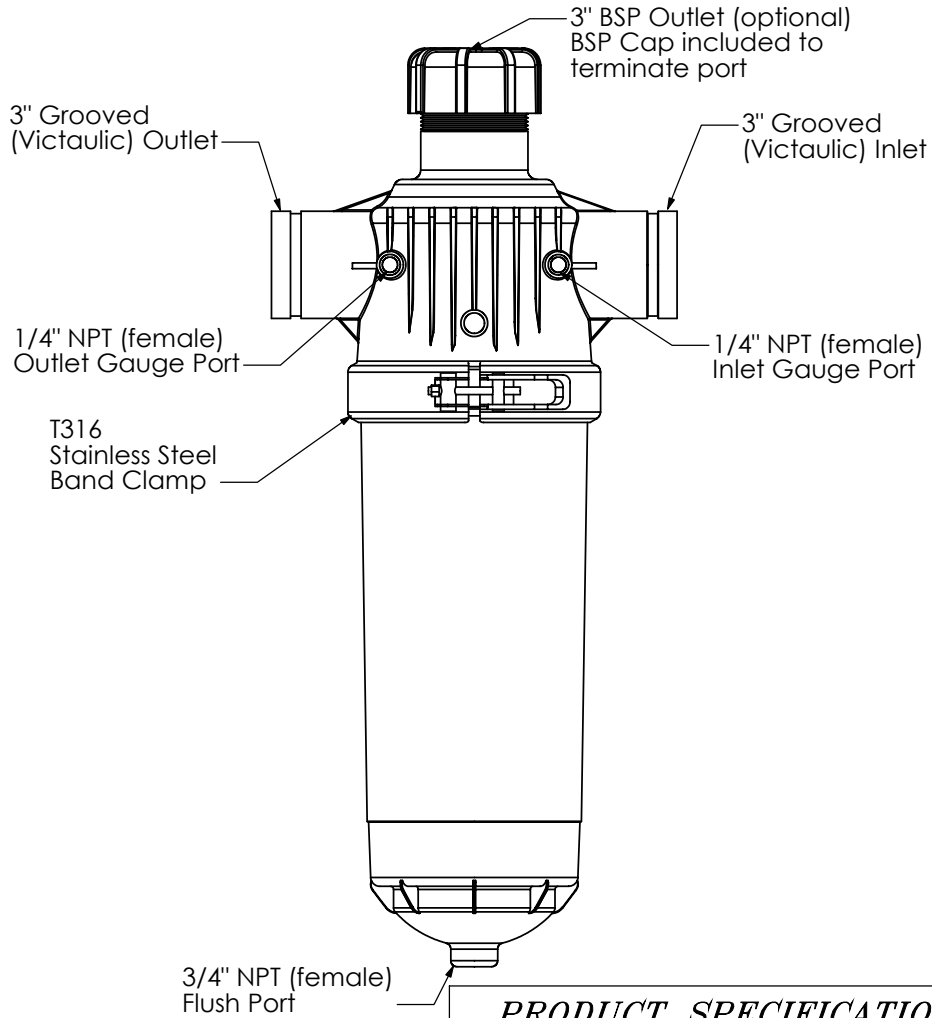


REVISIONS			
REV.	DESCRIPTION	DATE	APPROVED



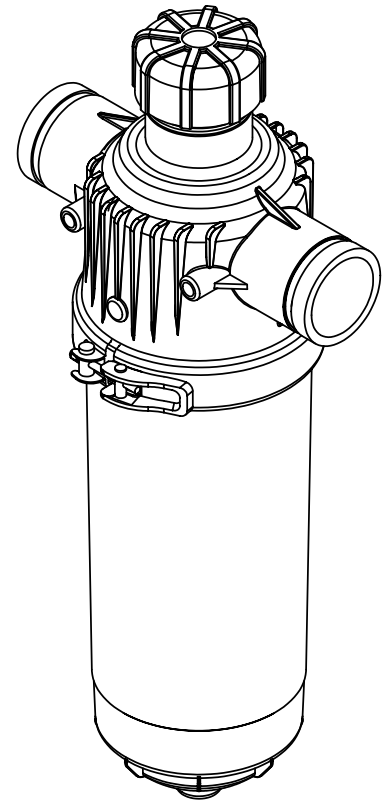
13 1/4"



30"

22 15/16"

18 3/4"



PRODUCT SPECIFICATION		DRAWN	S. Richards	9/26/03	TITLE
MILLER-LEAMAN INC.		CHECKED			
800 Orange Ave. Daytona Beach FL 32114		ENG APPR.			
		MKT APPR.			
		SHEET 1 OF 1			
					3NW Helix Filter Housing