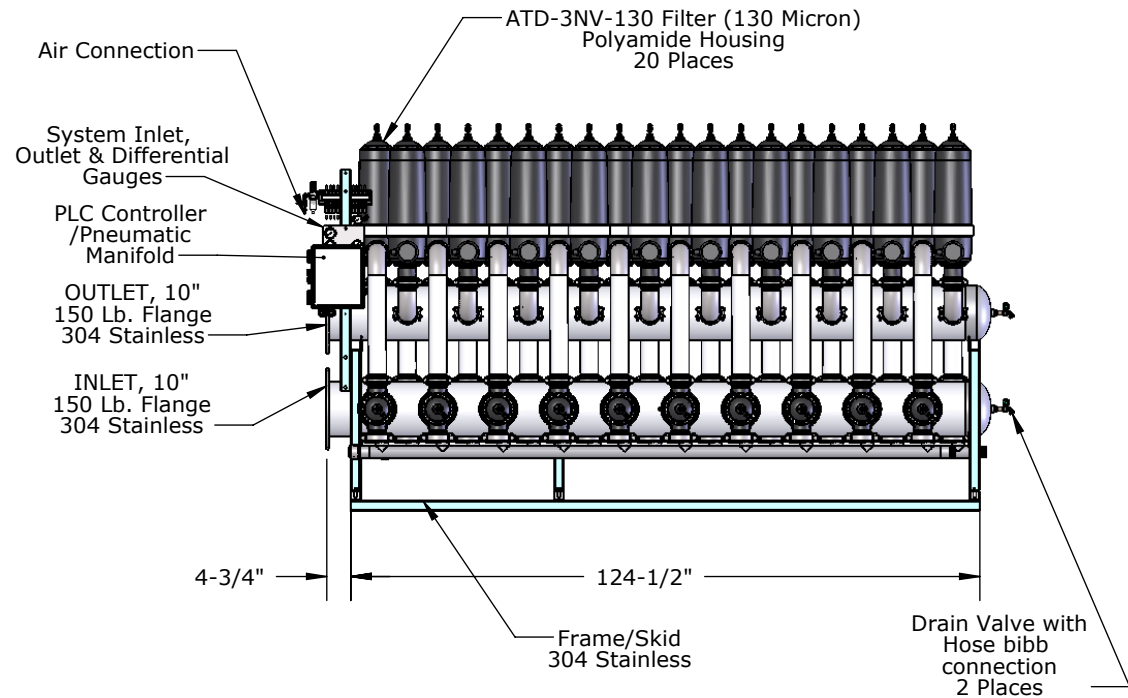
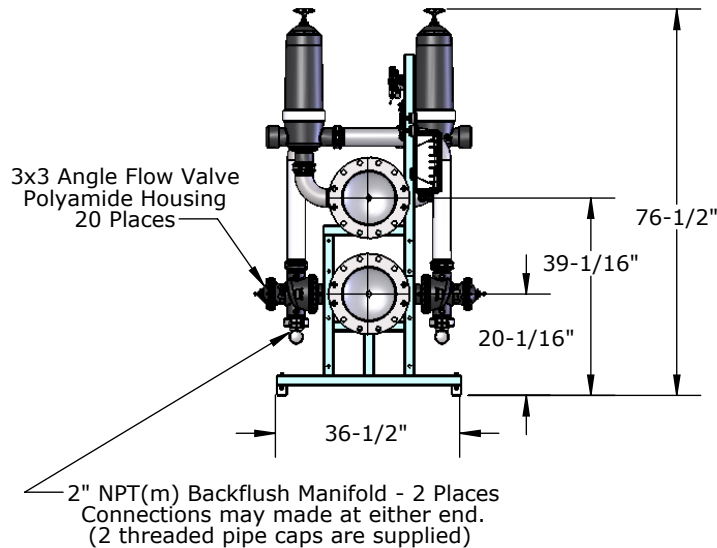
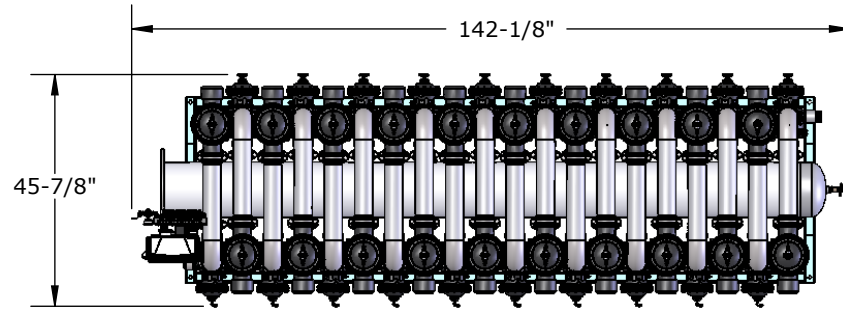


SYSTEM REQUIREMENTS

Controller: 115 VAC/60Hz/2 Amp (Standard Plug)
 Air Supply: 4CFM Min. @ 80-100 PSI
 Water Pressure: 65-125 PSI @ Filter Inlet
 Water Flow Rate: 2000 GPM
 Dry Weight: 1700 Lbs.
 Volume: 215 gallons approx.



PRODUCT SPECIFICATION

MILLER-LEAMAN INC.

800 Orange Ave. Daytona Beach FL 32114

DRAWN	L. Brannan	11/12/10
CHECKED		
ENG APPR.		
MKT APPR.		
SHEET 1 OF 1	Ref: ML21077B	Rev. --

TITLE

**Automatic Turbo-Disc
 Filter Skid System
 ATD3(20)x10-130M-A**