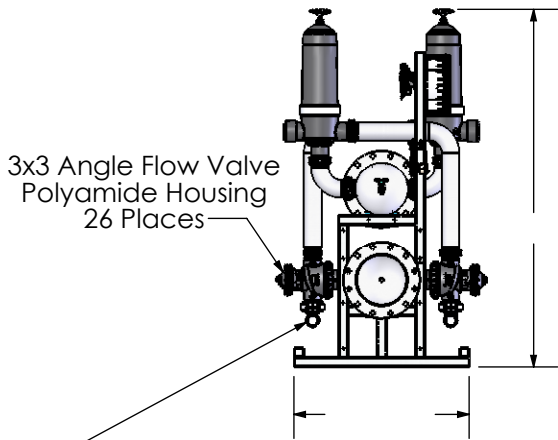
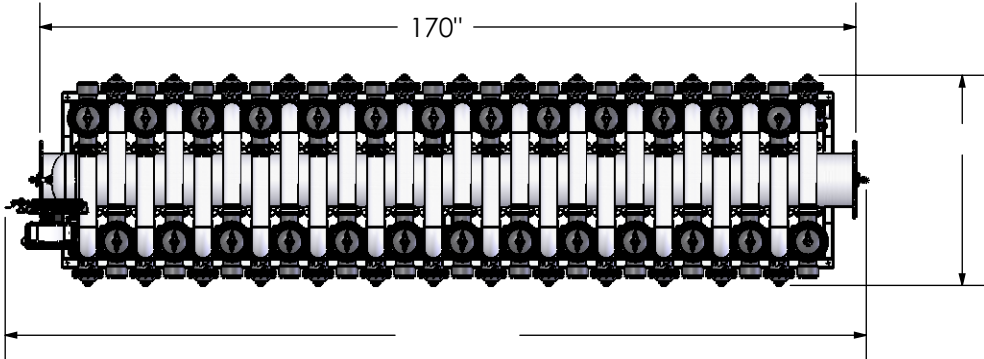
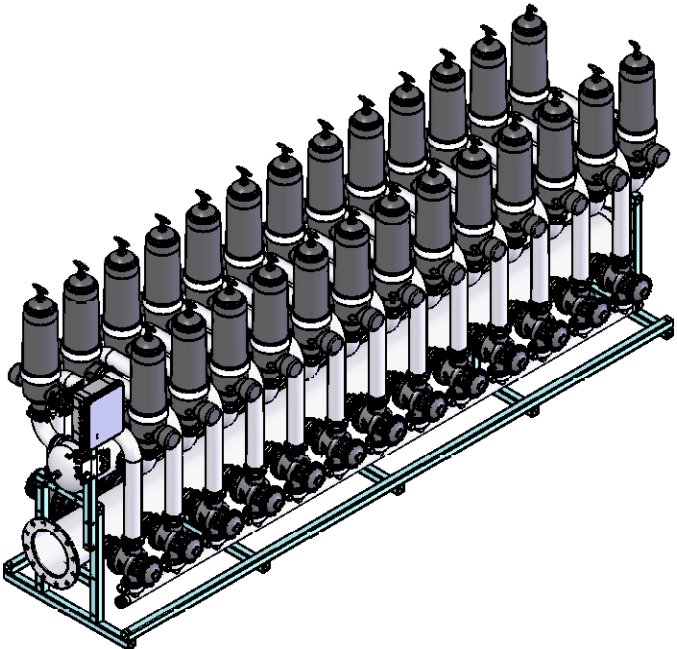


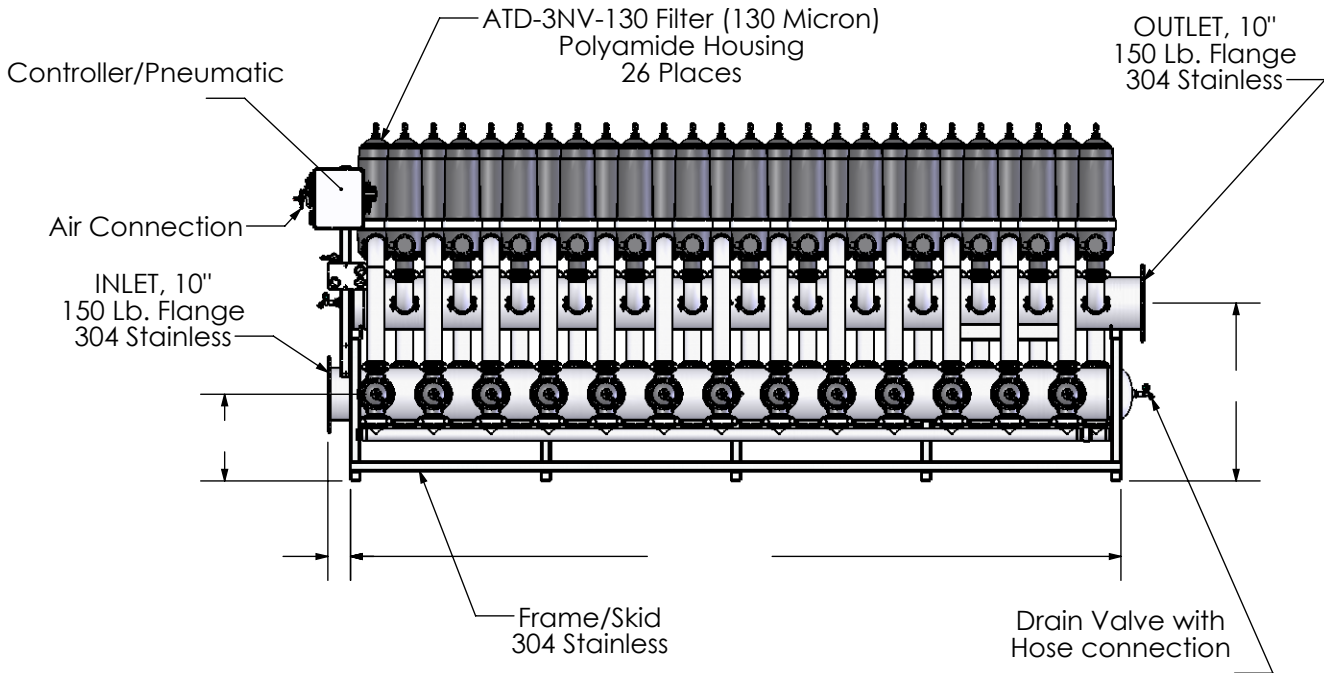
**SYSTEM REQUIREMENTS**

Controller: 115 VAC/60Hz/1 Amp (Standard Plug)  
 Air Supply: 4CFM Min. @ 80-100 PSI  
 Water Pressure: 65-100 PSI @ Filter Inlet  
 Water Flow Rate: 100-2600 GPM  
 Weight: 2450 Lbs.



3x3 Angle Flow Valve  
 Polyamide Housing  
 26 Places

2" NPT(m) Backflush Manifold - 2 Places  
 Connections may be made at either end.  
 (2 threaded pipe caps are supplied)



<i>PRODUCT SPECIFICATION</i>	J. Larsen	8/8/08	TITLE
	ENG APPR.		Automatic Turbo-Disc Filter Skid System ATD3(26)x10-130M-A
<b>MILLER-LEAMAN INC.</b>	MKT APPR.		
800 Orange Ave. Daytona Beach FL 32114	SHEET 1 OF 1		