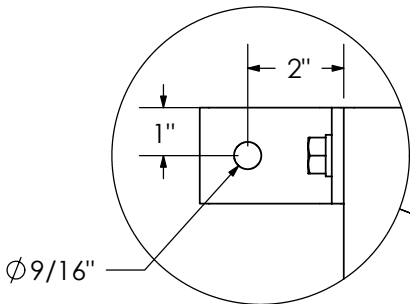
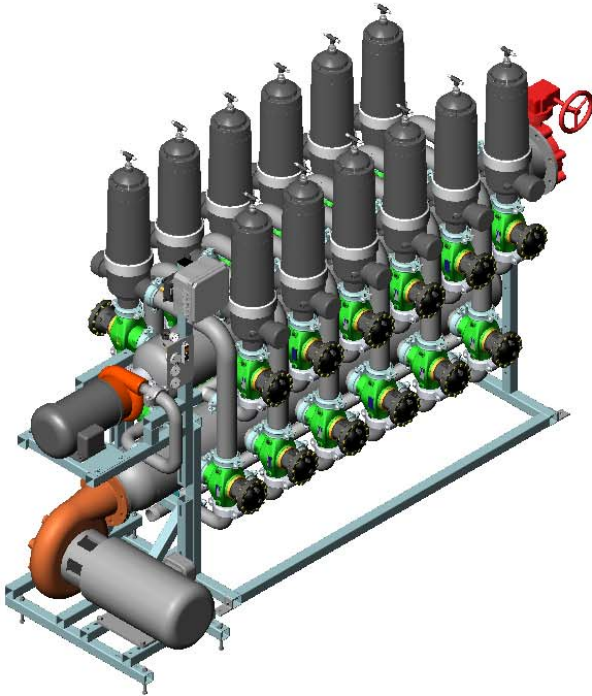
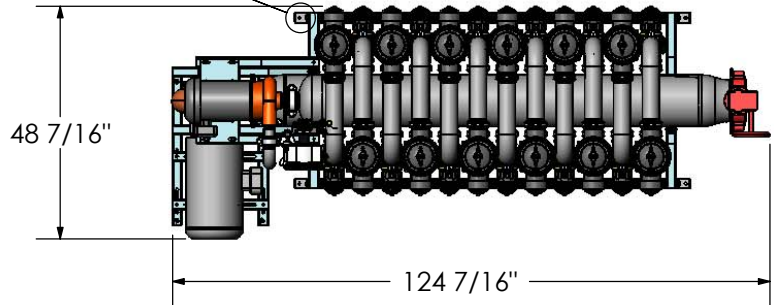


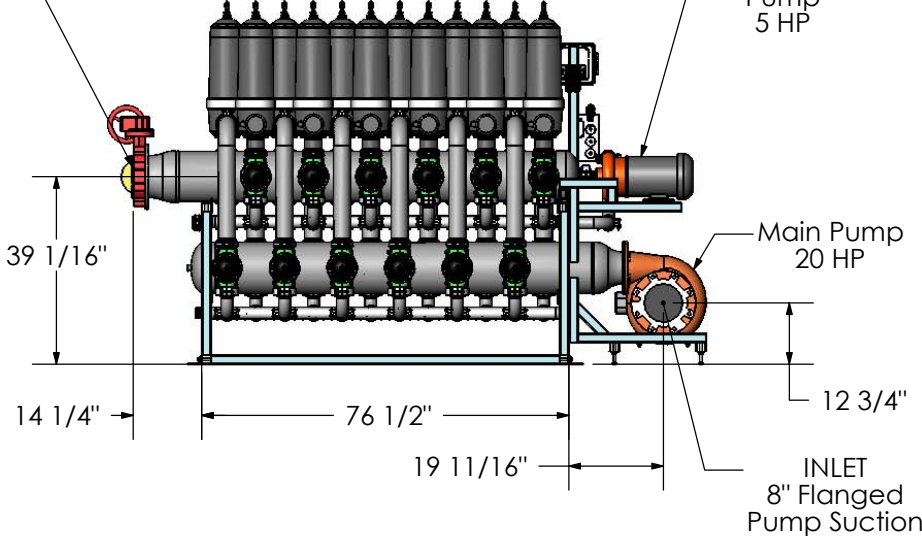
REVISIONS			
REV.	DESCRIPTION	DATE	APPROVED



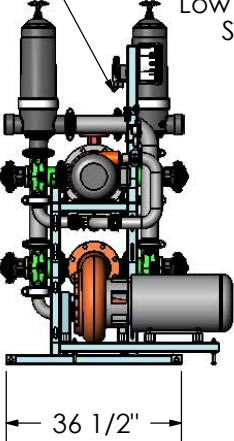
DETAIL A  
SCALE 1 : 4  
4 Places



OUTLET  
8" Flanged  
Butterfly Valve

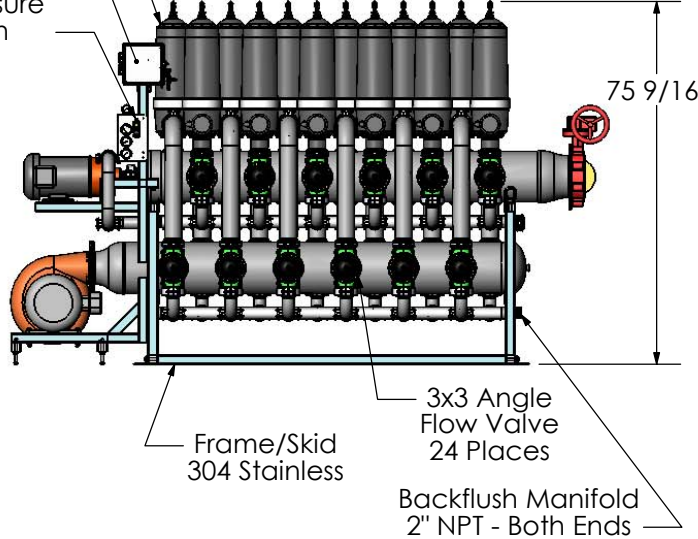


Controller/Pneumatic  
Valve Manifold



Low Pressure  
Switch

ATD-3NV-130 Filter (130 Micron)  
Polyamide Housing  
12 Places



**POWER REQUIREMENTS**

Controller: 110VAC (Standard Plug)  
Main Pump: 575VAC/3 Phase/60Hz/20A  
Booster Pump: 575VAC/3 Phase/60Hz/5.4A  
Air Line: 4 CFM & 80-100 PSI

*PRODUCT SPECIFICATION*

**MILLER-LEAMAN INC.**  
800 Orange Ave. Daytona Beach FL 32114

DRAWN	J. Larsen	2/10/04
CHECKED		
ENG APPR.		
MKT APPR.		
SHEET 1 OF 1		

TITLE  
Automatic Turbo-Disc  
Filter Skid System  
B2-ATD3(12)x10-130M-P1200-A-MOD2