

GENERAL SPECIFICATIONS:

- Maximum Flow: 100 GPM (No minimum flow requirement).
- Maximum Pressure: 125 PSI (Higher pressure models available).
- Not Designed for Suction / Vacuum.
- Screen Surface Area 122 Sq. In.
- Dry Weight: 14 lbs.
- Wet Weight: 30 lbs / Volume: 1.7 gal.
- Maximum Temperature: **135° F.**
(Consult Factory for higher temperature applications).

MATERIALS:

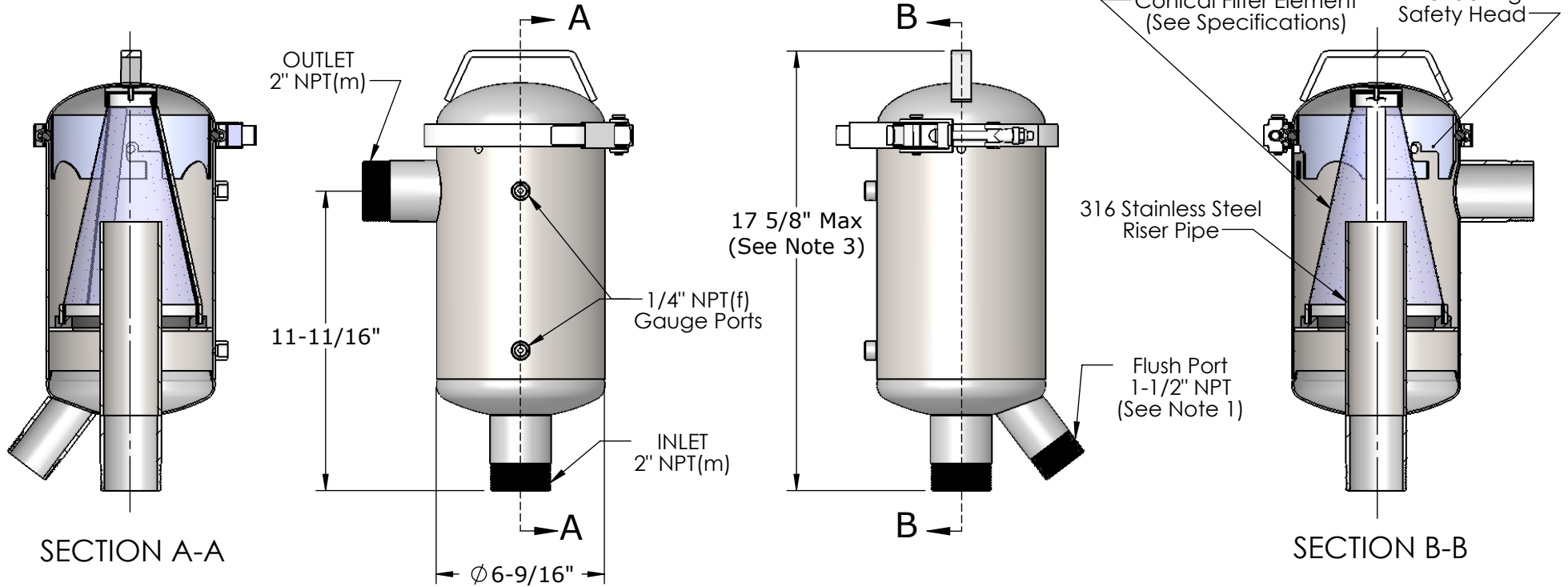
- Housing: 316 Stainless.
- Gasket: EPDM standard (other compounds available).
- Screen Mesh: 316 Stainless
- Preforated Sheet Screen Backup: 316 Stainless
- Clamp: 301, 302 or 304 Stainless.

SCREEN OPTIONS:

- Multiple screen mesh and perforated sheet sizes available.
(See product catalog for samples).

NOTES:

- 1- Flush Port is available in larger sizes and locations.
- 2- Dimensions are for informational purposes only and are subject to change.
- 3- 26" Overall height required for filter element removal.



<p>PRODUCT SPECIFICATION</p> <p>MILLER LEAMAN INC</p> <p>800 Orange Avenue, Daytona Beach, FL 32114</p>	DRAWN	J. Larsen	10/19/06	<p>TITLE</p> <p>TYPE 316</p> <p>Thompson Strainer</p> <p>MLS-2-T316</p>
	CHECKED			
	ENG APPR.			
	REVISION			
	MLI REF#	ML20446	REV: A	