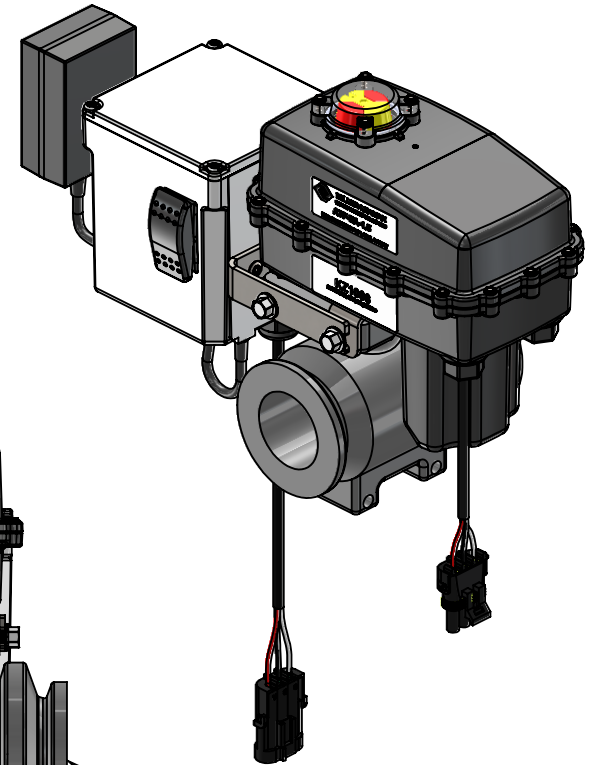
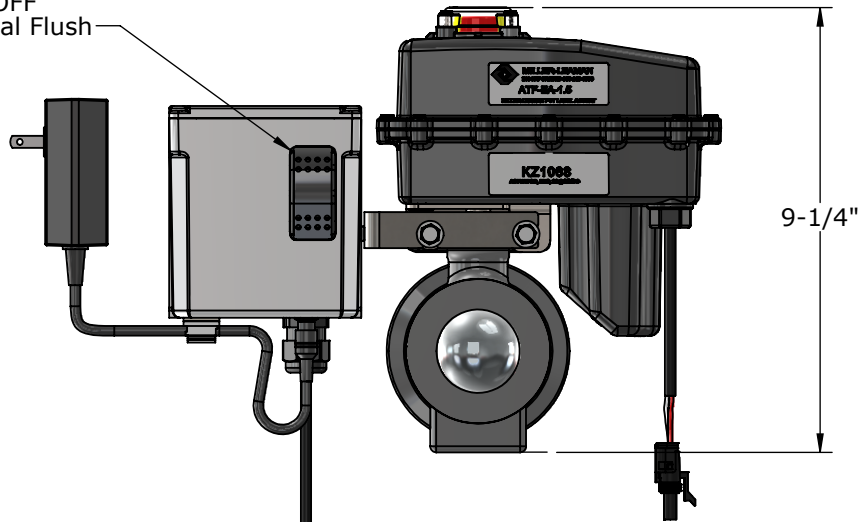


Operation Mode
3 Way Switch-
Auto Timed
OFF
Manual Flush



SPECIFICATIONS:

ELECTRICAL: 120VAC/1PH/60Hz/1Amp
(POWER SUPPLY INPUT)
(POWER SUPPLY OUTPUT/TIMER INPUT
12VDC / 2 Amps)

VALVE CONNECTIONS: 1.5" NPT (f)

MAXIMUM PRESSURE: 200 PSI @ 70 DEG.F

ACTUATION TIME: 3 SECONDS

CONTROL: SELECTABLE - AUTO/OFF/MANUAL
AUTO - TIMED FLUSH, ADJUSTABLE INTER-
VAL(OFF) AND DURATION(ON)
(SW POSITION MAINTAINED)
MANUAL - MOMENTARY FLUSH OPERATION
WITH SWITCH PRESS

ENCLOSURE: NEMA4X DERATED TO NEMA3R

VALVE BODY MATERIAL: NYLON
VALVE BALL MATERIAL: STAINLESS STEEL

PRODUCT SPECIFICATION

MILLER LEAMAN INC

800 Orange Ave. Daytona Beach FL 32114

DRAWN	DMP	1/08/2016
CHECKED		
ENG APPR.		
MKT APPR.		
SHEET 1 of 1	Ref: ML22069	Rev:

TITLE:
**Automatic Timer
Flush Package
ATF-EA-1.5**